

## Desk-top Bank Note Counter

GFB-800/900

### Option

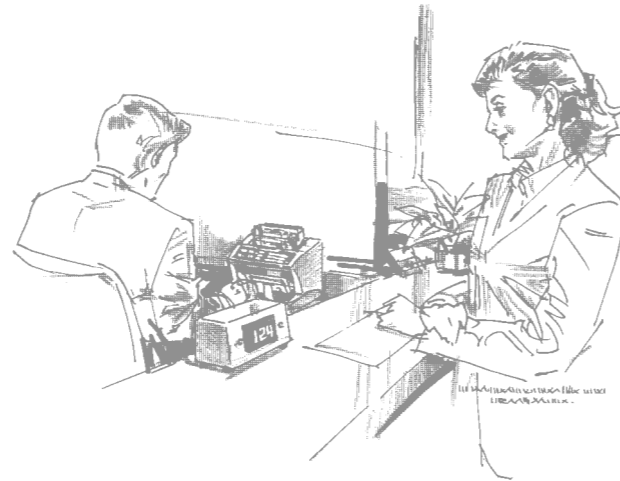
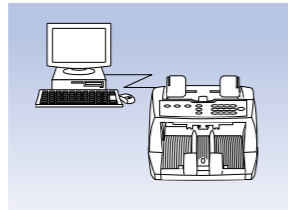
#### Counter Display:

This counter display allows the customer to easily view counter totals.



#### Interface:

Interface for connecting the bank note counter to a computer terminal or other device with an RS232C interface.

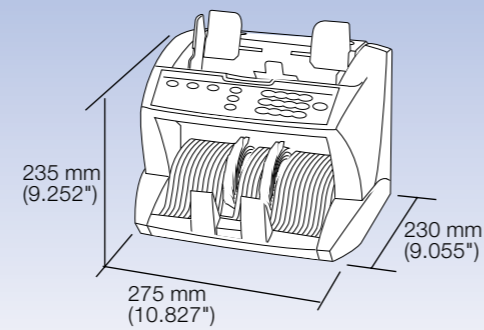


### Specifications

Dimensions	275 (W) x 235 (H) x 230 (D) mm (10.827" x 9.252" x 9.055")
Weight	5.5 kg – 6.0 kg (12.125 lbs – 13.227 lbs)
Countable note size	50 x 85 mm – 110 x 185 mm (1.969" x 3.346" – 4.330" x 7.283") Thickness: 0.06 x 0.12 mm (0.039" x 0.004")
Counting speed	1800, 1500, 1000, 500 notes/min. (four step system)
Feed system	Roller friction system
Hopper capacity	300 sheets
Stacker capacity	200 sheets
Counting display	4-digit LED (large)
Batch display	3-digit LED (small)
Power supply	AC100 – 240V 50/60Hz
Power consumption	1.2A (100 – 127V), 0.6A (220 – 240V)
Buzzer	Gives an alarm when a different denomination is detected.

### Dimensions

Weight: 5.5—6.0 kg  
(12.125—13.227 lbs)



**GLORY**  
Quality the World Counts on

**GLORY SHOJI CO., LTD.**  
<http://www.glory-international.com>  
4-8-17, Nishitenma, Kita-ku, Osaka, 530-8671, Japan  
Tel: +81-6-6362-7355 / Fax: +81-6-6365-1146

**U.S.A.**  
**GLORY (U.S.A.) INC.**  
<http://www.gloryusainc.com>

**Corporate Headquarters**  
10 York Avenue, West Caldwell, NJ 07006  
Tel: +1-800-999-4510 / Fax: +1-973-228-7114  
**System Products Engineering Center**  
11205-A Knott Avenue, Cypress, CA 90630  
Tel: +1-800-897-1879 / Fax: +1-714-897-9415

**North Central Region**  
2506 Wisconsin Avenue, Downers Grove, IL 60515  
Tel: +1-888-456-7987 / Fax: +1-630-241-4482

**Northeast Region**  
10 York Avenue, West Caldwell, NJ 07006  
Tel: +1-800-654-4564 / Fax: +1-973-228-8796

**South Central Region**  
623 Distributors Row, Suite A Harahan, LA 70123  
Tel: +1-800-609-8088 / Fax: +1-504-734-5988

**Southeast Region**  
4201-B Stuart Andrew Blvd., Charlotte, NC 28217  
Tel: +1-800-847-9414 / Fax: +1-704-525-5991

**Southwest Region**  
1600 N. Interstate 35-E, Suite 103, Carrollton, TX 75006  
Tel: +1-800-395-0411 / Fax: +1-972-323-9043

**Western Region**  
11809 E. Telegraph Road, Santa Fe Springs, CA 90670  
Tel: +1-800-762-7824 / Fax: +1-562-949-1301

**EUROPE**  
**GLORY GmbH**  
<http://www.glory-europe.com>  
Louise-Dumont-Str. 25, 40211 Düsseldorf, F.R. Germany  
Tel: +49-211-173770 / Fax: +49-211-1737710

**SINGAPORE**  
**GLORY MONEY HANDLING MACHINES PTE. LTD.**  
<http://www.glory-mhm.com>  
9 Temasek Boulevard #44-01, Suntec Tower 2,  
Singapore 038989  
Tel: +65-8372813 / Fax: +65-8372803

**HONG KONG**  
**GLORY CASH HANDLING SYSTEMS (CHINA) LTD.**  
<http://www.glory-chn.com>  
Rm. 710, Lu Plaza, 2 Wing Yip St., Kwun Tong,  
Kowloon, Hong Kong  
Tel: +852-2628-1800 / Fax: +852-2628-1802

\*Specifications are subject to change without notice.  
\*Copyright (c) 2001 by Glory Shoji Co., Ltd. All rights reserved.

Distributed by:

**GLORY**

## Desktop Bank Note Counter

GFB-800/900 Series



- High-quality, High-performance, High-reliability
- A full line of bank note counters that meet a wide range of customer needs.
- MCCD system protects against counterfeiting

